



BEFORE YOU BEGIN

Read and follow all safety instructions



WARNING

RISK OF FIRE, EXPLOSION AND ELECTRIC SHOCK

- This product should be installed, inspected, and maintained by a qualified electrician only, in accordance with the NEC (National Electric Code) and all local codes.
- Turn off electrical power before inspection, installation or removal.
- Use only UL (or other NRTL) approved wire for input/output connections.
- Make sure LEDs and drivers are cool to touch when performing maintenance. Make sure the supply voltage is the same as the rated voltage of the luminaire.
- Do not install in a hazardous atmosphere, except where the ambient temperature does not exceed the rated operating temperature of the fixture.
- Keep tightly closed when in operation



Prepare Electrical Wiring



Electrical Requirements

Must check if the local voltage range is correspond with the working voltage of the fixture. Use min. 75°C supply.



Grounding Instructions

The grounding and bonding of the overall system shall be done in accordance with NEC Article 600 and local codes.

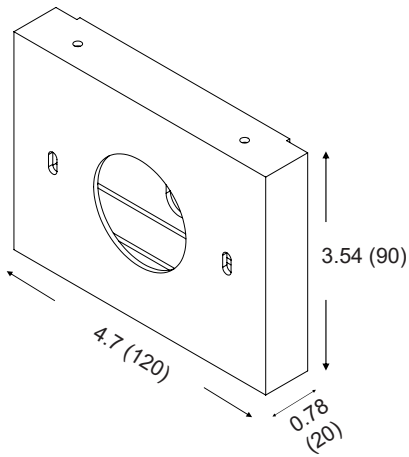


Follow all applicable safety procedures and use Personal Protective Equipment such as hardhats, safety glasses, reflective vest, electrical safety gloves, fall protection equipment and safety toe boots during the installation, operation, and maintenance of the luminaire.

WARNING: RISK OF FIRE AND ELECTRICAL SHOCK. FIXTURE MUST BE INSTALLED BY A QUALIFIED ELECTRICIAN ONLY IN ACCORDANCE WITH NATIONAL, LOCAL BUILDING AND ELECTRICAL CODES. DISCONNECT POWER AT ELECTRICAL PANEL BEFORE SERVICING.

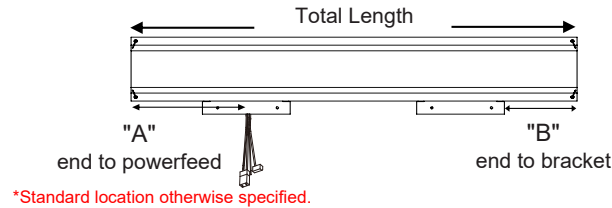
WALL MOUNT BRACKET

*Dimensions are in inches (millimeters).



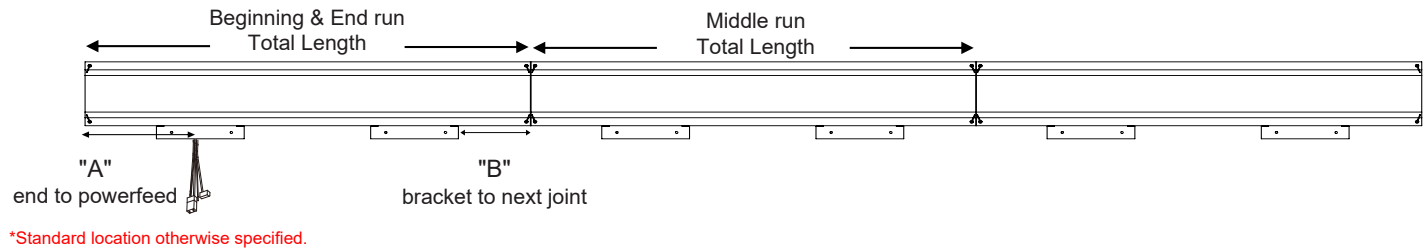
MOUNTING LENGTH INFORMATION

12500-20/40 Individual Run



ITEM	TOTAL LENGTH	"A"	"B"
INDIRECT 2FT	24-1/8"	6-5/8"	4-1/4"
INDIRECT 3FT	36-1/8"	10"	7-11/16"
INDIRECT 4FT	48-1/8"	10"	7-11/16"
INDIRECT 6FT	72-1/8"	10"	7-11/16"
INDIRECT 8FT	96-1/8"	10"	7-11/16"

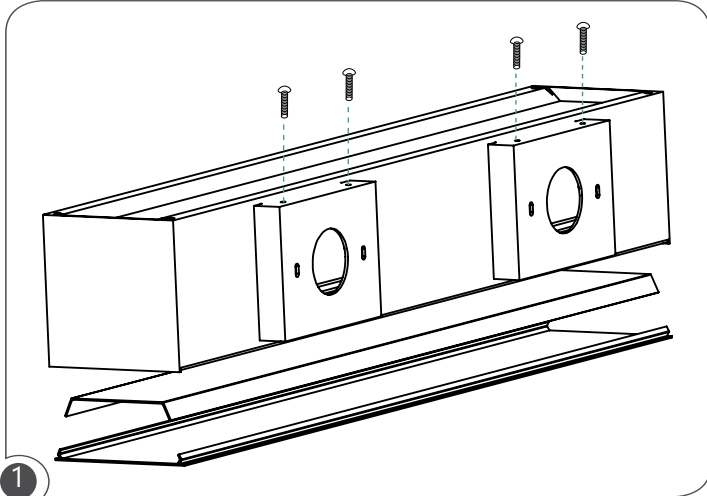
12500-20/40 Continuous Run



ITEM	Beg. & End Run Total Length	Middle Run Total Length	"A"	"B"
CONTINUOUS 2FT	24-1/16"	24"	6-5/8"	4-3/16"
CONTINUOUS 3FT	36-1/16"	36"	10"	7-5/8"
CONTINUOUS 4FT	48-1/16"	48"	10"	7-5/8"
CONTINUOUS 6FT	72-1/16"	72"	10"	7-5/8"
CONTINUOUS 8FT	96-1/16"	96"	10"	7-5/8"

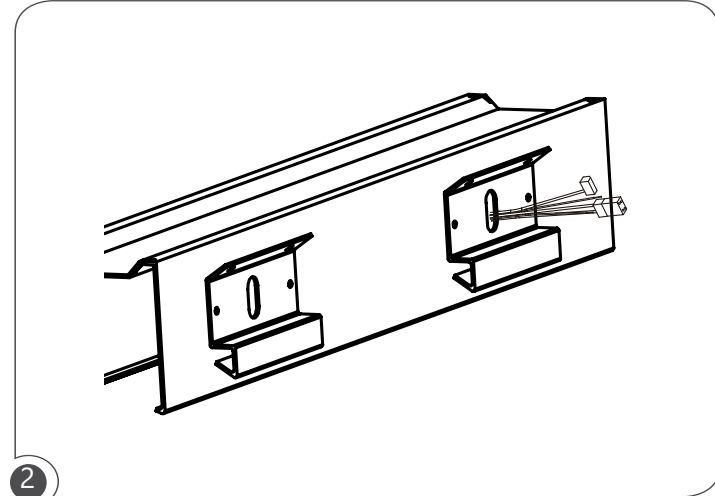
12500-20 | 12500-40 - INSTALLATION INSTRUCTIONS FOR WALL MOUNT

INDIVIDUAL RUN INSTALLATION



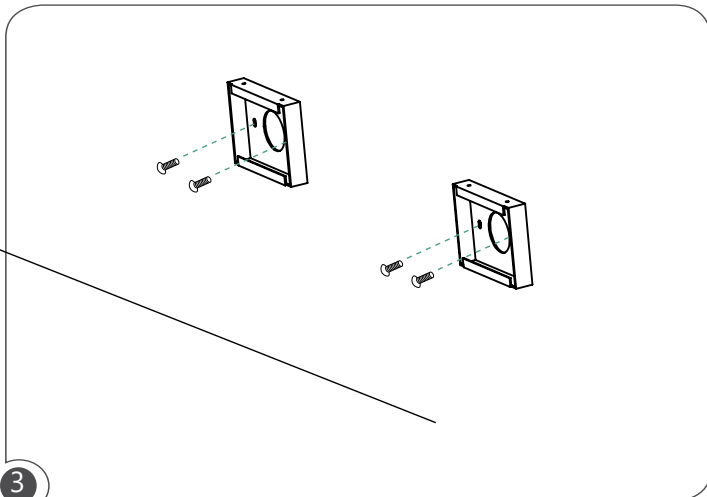
1

Remove lens, module plate and outer wall mount brackets.



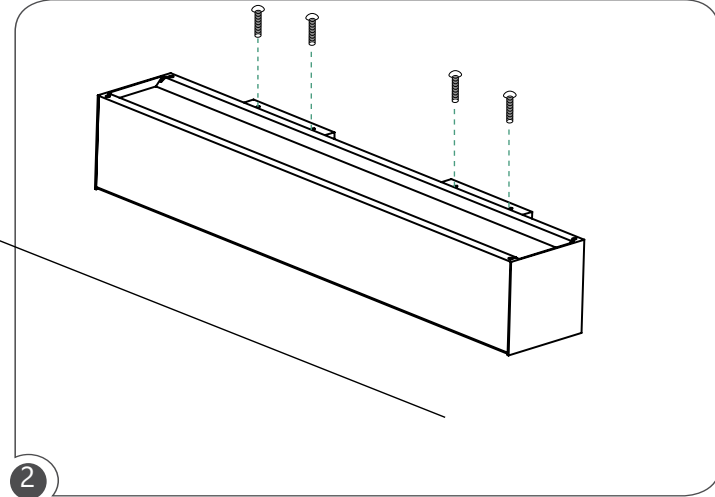
2

Pull out the wires from power feed side.



3

Fix and secure the outer wall mount brackets on the wall, screws provided by others.

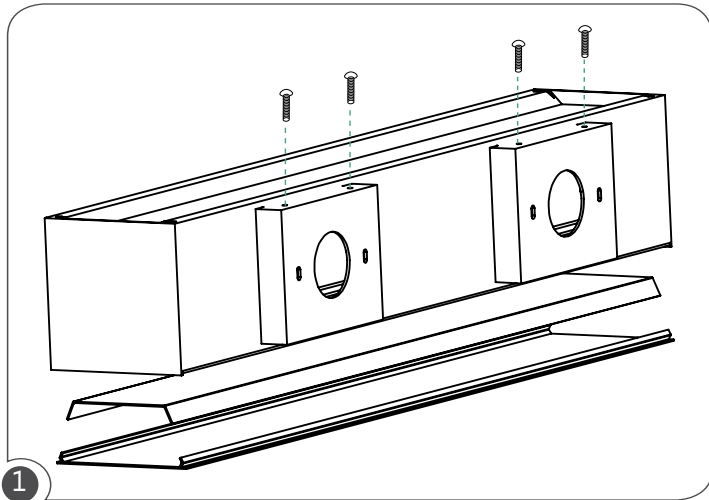


2

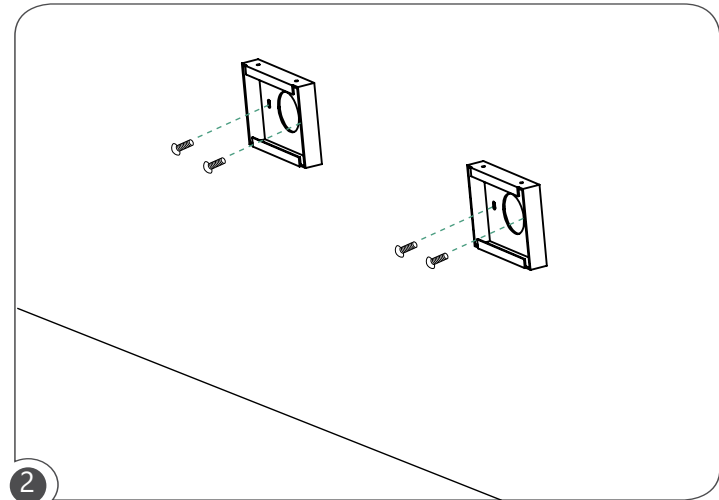
Reinstall module plate and lens first, make wire connection, secure the fixture against the wall. Make sure to fix inner and outer wall mount brackets tightly with the screws provided.

12500-20 | 12500-40 - INSTALLATION INSTRUCTIONS FOR WALL MOUNT

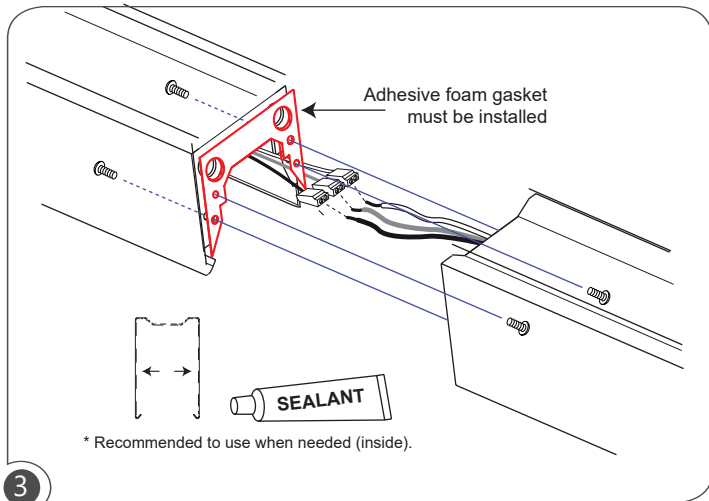
CONTINUOUS RUN INSTALLATION



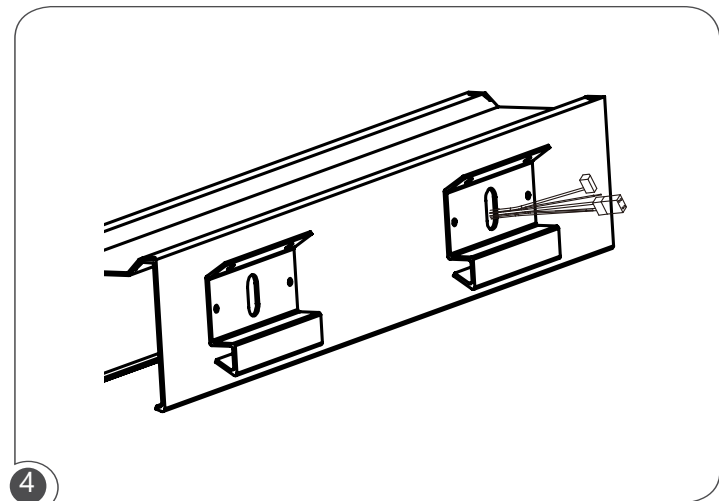
1 Remove lens, module plate and outer wall mount brackets.



2 Fix and secure the outer wall mount brackets on the wall, screws provided by others.



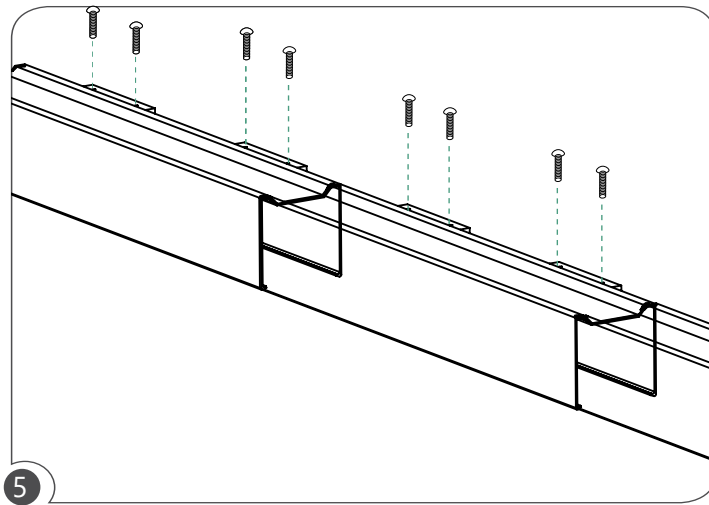
3 Make wire connection for all continuous runs internally and join the runs together with 4 screws provided.



4 Look for the powerfeed location and pull out the main power supply wires.

12500-20 | 12500-40 - INSTALLATION INSTRUCTIONS FOR WALL MOUNT

CONTINUOUS RUN INSTALLATION



Reinstall module plate and lens first, make wire connection, secure the fixture against the wall. Make sure to fix inner and outer wall mount brackets tightly with the screws provided.

STANDARD WIRING DIAGRAM

